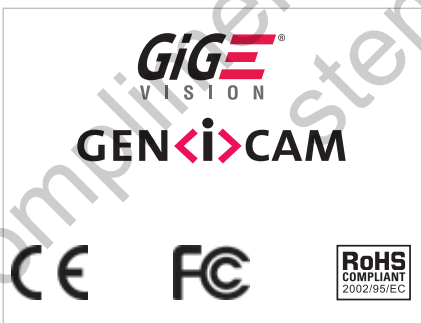
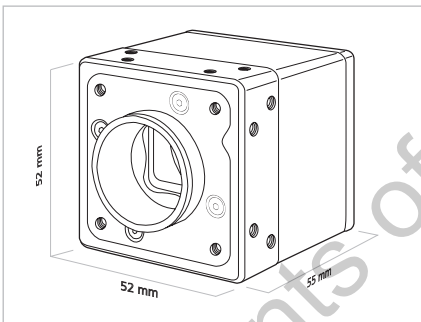


HXG40

Facts and Data

Digital Monochrome Matrix Camera, 4 Megapixel, Dual GigE



Baumer Optronic GmbH
 Badstrasse 30
 DE-01454 Radeberg, Germany
 Phone +49 (0)3528 4386 0
 Fax +49 (0)3528 4386 86
 sales@baumeroptronic.com
 www.baumer.com/cameras

Sensor Information

Model Name	CMOSIS CMV-4000
Type	1" progressive scan CMOS
Native Resolution	2048 × 2048 pixels
Exposure Time	20 µsec ... 1 sec

Acquisition Formats

Image Formats	Full Frame	2048 × 2048 pixels	max. 56 fps
Pixel Formats	Mono8, Mono10, Mono12		
Partial Scan	True Partial Scan, Region of Interest (ROI) arbitrary		

Image Pre-processing

Analog Controls	Gain (0 ... 12 dB), Offset (0 ... 255 LSB)
Color Modes	Mono

Camera Features

Internal Buffer	256 MBytes (max. 60 images)
Synchronization	Free running, Trigger
Trigger Sources	Hardware, Software, Action Command
Trigger Delay	0 ... 2 sec, Tracking and buffering of up to 512 trigger signals
Digital I/Os	3 input lines (with Debouncer), 3 output lines

Interfaces and Connectors

Data Interface	Dual GigE, Transfer Rate 2000 Mbit/sec Connector: 8P8C Modular Jack (RJ45), screw lock type
Process Interface	M8 / 8 pins
Power Interface	M8 / 3 pins

Mechanical Data

Housing	Aluminum, IP40
Lens Mount	C-Mount / F-Mount
Dimensions	52 x 52 x 55 mm ³
Weight	210 g (C-Mount)

Electrical Data

Power Supply	20 ... 30 V DC
Power Consumption	approx. 8 Watt (with camera factory settings)

Environmental Data

Operating Temperature	+5 °C ... +50 °C (+41 °F ... +122 °F)
Humidity	10% ... 90% non condensing