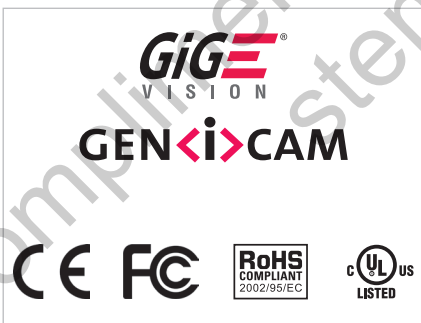
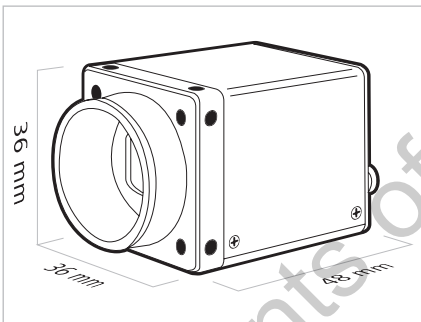


TXG13

Facts and Data

Digital Monochrome Matrix Camera, 1.4 Megapixels, Gigabit Ethernet



Baumer Optronic GmbH
 Badstrasse 30
 DE-01454 Radeberg, Germany
 Phone +49 (0)3528 4386 0
 Fax +49 (0)3528 4386 86
 sales@baumeroptronic.com
 www.baumer.com/cameras

Sensor Information

Model Name	SONY® ICX267
Type	1/2" interline progressive scan CCD
Native Resolution	1392 × 1040 pixels
Exposure Time	4 μsec ... 60 sec

Acquisition Formats

Image Formats	Resolution	Max. FPS
Full Frame HQ	1392 × 1040 pixels	max. 10.0 fps
Full Frame	1392 × 1040 pixels	max. 20.0 fps
Binning 2x2 HQ	696 × 520 pixels	max. 19.0 fps
Binning 2x2	696 × 520 pixels	max. 39.0 fps
Binning 1x2 HQ	1392 × 520 pixels	max. 19.0 fps
Binning 1x2	1392 × 520 pixels	max. 39.0 fps
Binning 2x1 HQ	696 × 1040 pixels	max. 10.0 fps
Binning 2x1	696 × 1040 pixels	max. 20.0 fps

Pixel Formats: Mono8, Mono12, Mono12 Packed

Partial Scan: True Partial Scan, Region of Interest (ROI) arbitrary

Image Pre-processing

Analog Controls	Gain (0 ... 20 dB), Offset (0 ... 255 LSB 12 bit)
Color Models	Mono

Camera Features

Internal Buffer	32 MBytes (max. 7 images)
Synchronization	Free running, Trigger, Sequencer
Trigger Sources	Hardware, Software, ActionCommand
Trigger Delay	0 ... 2 sec, Tracking and buffering of up to 512 trigger signals
Sequencer	Automated control for series of images using different sets of parameters
Sequencer Characteristics	up to 256 sets of parameters, up to 4 billion loop passes, up to 4 billion repetitions of sets of parameters, up to 4 billion images per trigger event
Sequencer Parameters	Exposure Time, Gain Factor
Digital I/Os	1 input line (with Debouncer), 1 output line

Interfaces and Connectors

Data Interface	Gigabit Ethernet, Transfer rate 1000 Mbits/sec Connector: 8P8C Modular Jack (RJ45), screw lock type
Process Interface	M8 / 4 pins
Power Interface	M8 / 3 pins

Mechanical Data

Housing	Aluminum, IP40
Lens Mount	C-Mount
Dimensions	36 × 36 × 48 mm
Weight	< 90 g

Electrical Data

Power Supply	8 ... 30 V DC
Power Consumption	approx. 4 Watts

Environmental Data

Operating Temperature	+5 °C ... +50 °C (+41 °F ... +121 °F)
Humidity	10% ... 90% non condensing